



Overview

OpenVox IX210 is a standard 19" 2U appliance. It allows users to integrate up to 2 pieces of OpenVox PCI-E telephony interface cards, with any combinations of analog, BRI, PRI, GSM or transcoding interfaces. The optional hardware RAID 1 support provides better data backup for your system. When RAID1 is installed, thus users can see the status of the storage devices from a GUI and then simply replace a backup HDD whenever needed without opening the appliance. What's more, the IX210 provides two flexible ways of power supply: internal and external and it's up to you to select one of them to power up the IX210.

The IX210 supports comprehensive protocol processing, including SIP, H.323 protocols in IP side and BRI, PRI, SS7, GSM and some protocols transcoding in CPE. Taking the full advantages of open source platform, the IX210 will be preloaded with Elastix®, PBX in a Flash™, FreePBX or trixbox® IPPBX software.

*3 -Month "No Questions Asked"
Return Policy
Two-Year Warranty*

Combination Options

- ▶ A400E/(E)810E/(E)1610E
- ▶ B100E/(E)200E/(E)400E
- ▶ D(E)130E/(E)230E/430E
- ▶ G400/410E

Except A400E, B100E, G400E and G410E, all compatible cards can be applied together with EC module.

IX210 supports combination of two cards, for example:

- ▶ A(E)1610E + B(E)400E
- ▶ D(E)430E + B(E)400E
- ▶ D(E)430E + A(E)1610E
- ▶ A(E)810E + A(E)810E
- ▶ G400E + G400E

- ✓ Optional Pre-loaded Free Open Source IPPBX System
- ✓ Combination of FXS/FXO, BRI, E1/T1, GSM Interface
- ✓ PRI/SS7 to SIP Gateway
- ✓ PRI/SS7/FXS/FXO/BRI Signaling Converter
- ✓ PRI/SS7 TDMoE Gateway
- ✓ Flexible Applications Selection (IPPBX or Firewall)
- ✓ Up to 4 Simultaneous GSM Calls

Features

- ▶ Advanced Dialing Rules
- ▶ Blacklist
- ▶ Call Detail Records (CDR)
- ▶ Caller ID
- ▶ Call Waiting
- ▶ Fax Support
- ▶ SIP/IAX trunk & PSTN connectivity
- ▶ Firewall
- ▶ Follow me
- ▶ IVR Menu System
- ▶ Music on Hold
- ▶ Music on Transfer
- ▶ Ring Group Call Queues
- ▶ Three-way Calling
- ▶ Voicemail

Specifications

Technical Specifications

- ▶ VoIP
- ▶ SIP
- ▶ H.323
- ▶ Audio Codecs:
 - G.711(alaw/ulaw) (64kbps)
 - G.729a(8kbs)
 - G.723.1(5.3/6.4 kbps)
- ▶ UP to 300 VoIP channels

Physical Specifications

- ▶ **Size:** 44cm × 37.2cm × 8.8cm
- ▶ **Weight:** 5200g (Telephony cards not included)
- ▶ **Interface:** 1 VGA interface
 - 2 USB
 - 2 10/100/1000M RJ45 ports
- ▶ **Power:** 100-240V AC

Environments

- ▶ **Temperature:** 0 ~ 70°C (Operation)
- 40 ~ 85°C (Storage)
- ▶ **Humidity:** 10 ~ 90% NON-CONDENSING

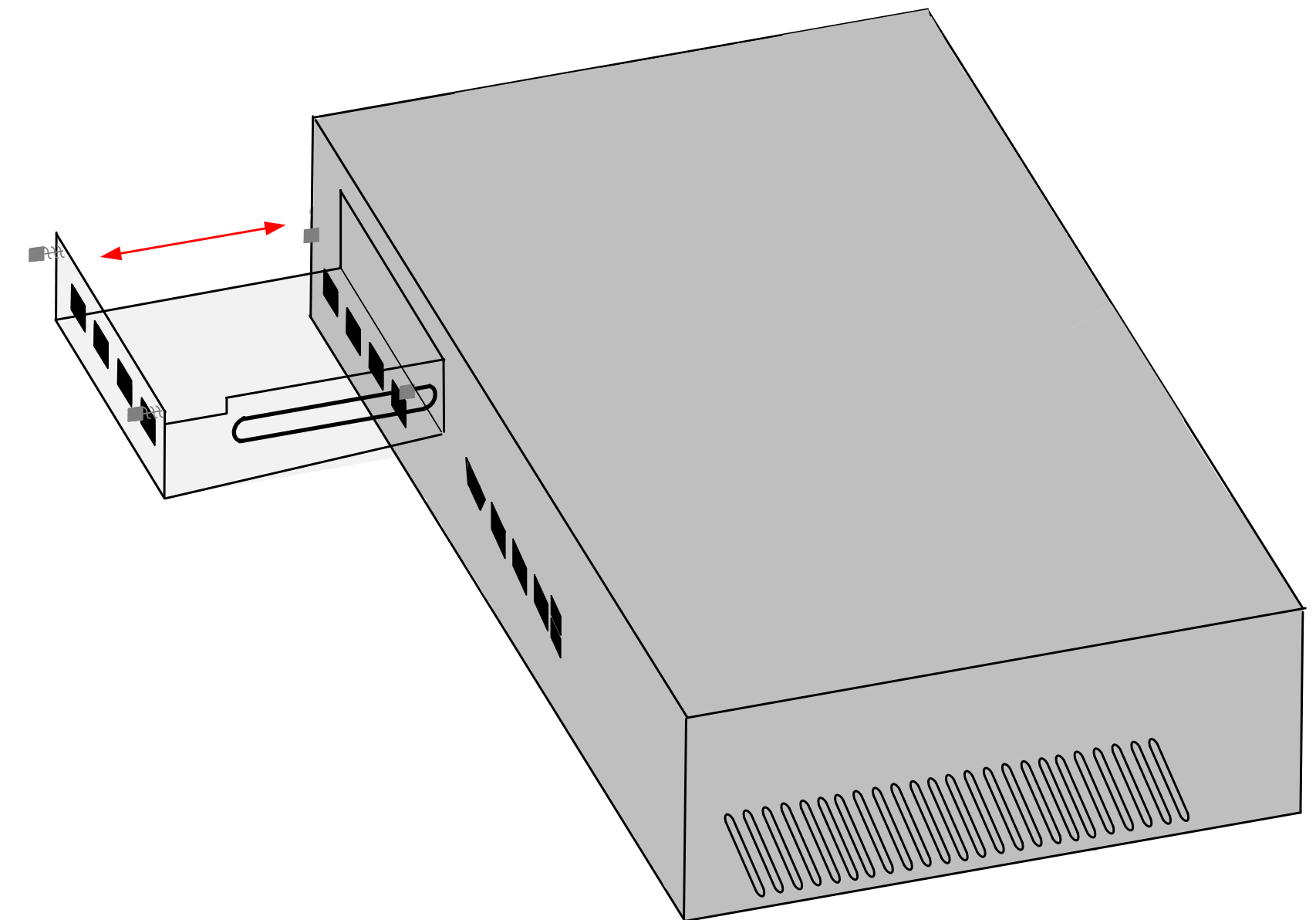
Motherboard Main Features

- Powerful Intel Atom D2000/N2000 series Processor
- 1MB L2 cache, 64-bit instruction
- PCIe x4 Golden Finger
- Up to 2 Ethernet channels
- Up to 1 Mini PCIe sockets for wifi cards
- Up to 4 GB DDR3 SDRAM
- 16Mbit flash for AMI BIOS
- 1VGA port (DB15) for display interface
- Header for LPC bus (use for flash recovery or I/O expansion)
- Low EMI Emission level and high Electro Magnetic susceptibility

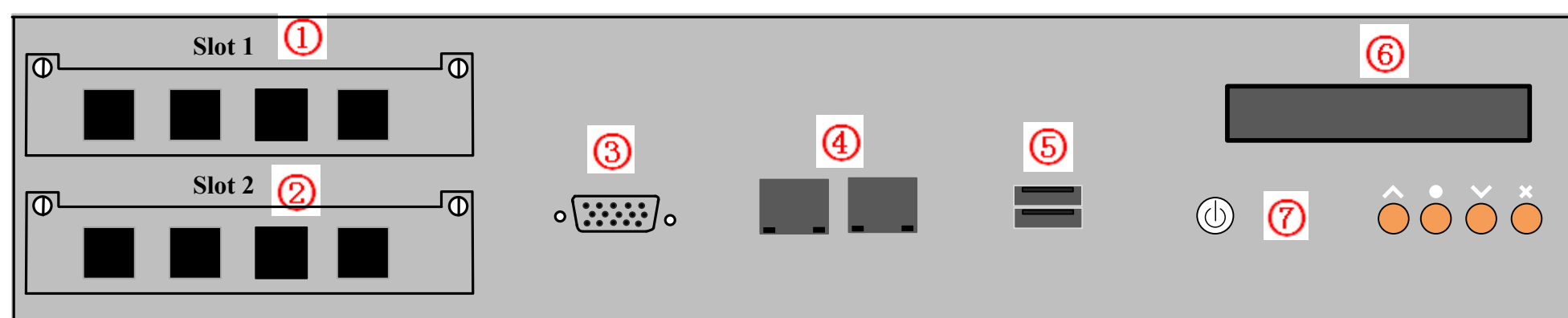
Motherboard Technical Specifications

- CPU: Intel Atom N2600 1.60GHz
- DRAM: Slot Onboard, up to 4GB DDR3 1333 SDRAM (Atom N2600 only support 2GB)
- Chipset: Intel NM10 Express Chipset
- Southbridge: Intel NM10
- Storage: 1 SATA slot, 1 mSATA Socket
- Three front panel LEDs, for 3 programmable GPO status indicator
- Push button: for mode setting switch, accessing a programmable GPI, active low means switch is pressed
- PCIe Interface: PCIe x4 Golden Finger
- Expansion: 1 Mini PCIe slot
- Connectivity: Up to 2 Ethernet channels (10/100/1000Mbps speed)
2 PCIe Ethernet controllers
Support PXE (for remote booting)
- I/O: 1*DB15 VGA port, 5*USB 2.0 port
- Board size: 6 x 6" (152.4 x 152.4 mm)
- Temperature: 0°C to 60°C (contact factory for more temp. options)
- Firmware: AMI_UEFI BIOS
- PCB layer: 4
- Power dissipation: ~7.8W (Minimum Power Dissipation)

Side View



Front Panel



Rear Panel



- ① ② Telephony Cards Area
- ③ VGA Interface
- ④ 2 10/100/1000Mbit Network Ports
- ⑤ 2 USB Ports
- ⑥ LED Monitor
- ⑦ Power button and 4 function keys
- ⑧ AC Power Interface (Built-in and Optional)